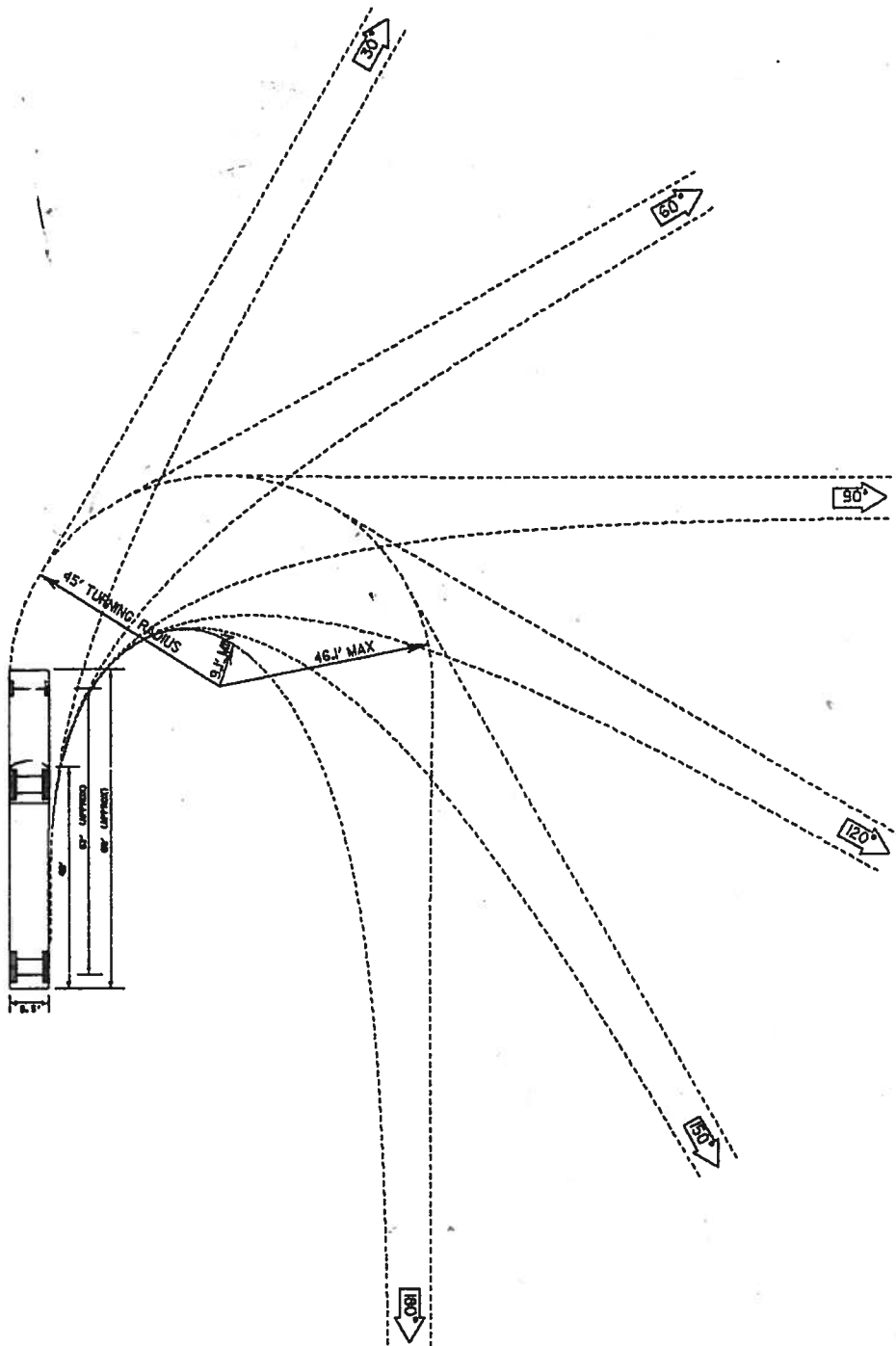


WB62TX

R = 45'

1" = 40'



WB62TX DESIGN VEHICLE
RADIUS = 45'
SCALE 1" = 40'